

Form 20755  
(159)

Printed in U. S. A.

HISTORICAL  
DO NOT REMOVE

# LIST OF PARTS



From the library of: Diamond Needle Corp

## SINGER<sup>\*\*</sup>

### MACHINE No. 43-7

THE SINGER MANUFACTURING COMPANY

<sup>\*\*</sup> A Trademark of THE SINGER MANUFACTURING COMPANY

## INSTRUCTIONS FOR OILING

To insure easy running and prevent unnecessary wear of the parts which are in movable contact, the machine requires oiling and when in continuous use, "TYPE B" or "TYPE D" OIL, sold by Singer Sewing Machine Company, should be applied daily to all oil holes and points of contact marked "OIL", as instructed in Form 19904.

"TYPE D" OIL should be used when an oil is desired which will produce a minimum of stain on fabrics, even after a long period of storage.

## INDEX

	Page
Accessories .....	12
Bobbin Winder .....	12
Knee Lifter Parts .....	13
Machine No. 43-7 .....	7
Numerical List of Parts .....	15

## INSTRUCTIONS FOR ORDERING

In ordering from this list, use ONLY the part NUMBER in the FIRST column.

The number stamped on a Sewing Machine Part is in every case the number of the single part only.

Every combination of parts sent out as such has its specific number, which, although not stamped on the parts, must be used when ordering the combination.

Each number always indicates the SAME PART in whatever list it appears, or for whatever machine.

The letters after some of the numbers indicate the style of finish only, as follows:

- A—Hardened, Polished, Nickel Plated and Buffed
- B—Polished, Nickel Plated and Buffed
- C—Hardened Only
- D—Polished Only
- E—Soft, Not Polished
- F—Hardened and Polished
- G—Bright Rumbled and Nickel Plated
- H—Blued
- J—Nickel Plated Only
- K—Hardened and Nickel Plated
- L—Brass Plated
- M—Oxidized
- R—Phosphate Coating Formed on Surface of Iron or Steel
- S—Cadmium Plated
- T—Copper Plated
- U—Zinc Plated
- V—Silver Plated
- W—Polished and Nickel Plated
- X—Black Oxide for Iron and Steel
- Y—Black Nickel Plated Only
- Z—Chromium Plated
- A.A—Buffed and Chromium Plated
- A.B—Hardened, Polished, Buffed and Chromium Plated
- A.E—Hardened, Bright Rumbled and Nickel Plated
- A.F—Hardened, Bright Rumbled, Nickel Plated, Bright Rumbled and Chromium Plated
- A.G—Alumilite (Plain)
- A.H—Alumilite (Dyed) Color Must be Stated
- A.J—Polished, Nickel Plated and Chromium Plated
- A.K—Hardened, Polished, Nickel Plated and Chromium Plated
- A.L—Heat Treated for Toughness
- A.L.D—Heat Treated for Toughness and Polished
- A.L.X—Heat Treated for Toughness and Black Oxide

## INSTRUCTIONS FOR ORDERING

- A.S—Black Moulded Phenolic
- A.T—Beige Moulded Phenolic
- A.U—Brown Moulded Phenolic
- A.W—Hardened then Flame Coated with Tungsten Carbide
- B.A—Chrome Nickel Satin Finish
- B.B—Hardened and Chrome Nickel, Satin Finished
- C.R—Hardened and Phosphate Coating Formed on Surface of Steel
- F.J—Hardened, Polished and Nickel Plated
- T.A—Hardened, Polished, Copper and Nickel Plated and Buffed
- T.B—Copper and Nickel Plated and Polished
- T.J—Copper and Nickel Plated Only
- T.K—Hardened, Copper and Nickel Plated
- T.L—Copper and Brass Plated
- T.M—Copper Plated and Oxidized
- X.C—Hardened and Black Oxide for Iron and Steel
- Z.A—Hardened, Polished Nickel Plated, Buffed and Chromium Plated
- Z.B—Polished, Nickel Plated, Buffed and Chromium Plated
- Z.C—Hardened and Chromium Plated
- Z.D—Polished and Chromium Plated
- Z.G—Bright Rumbled, Nickel Plated, Bright Rumbled and Chromium Plated
- Z.J—Nickel and Chromium Plated
- Z.T—Copper and Chromium Plated

These letters MUST BE USED when they appear in the list; and AFTER the number as in the list.

In this series:

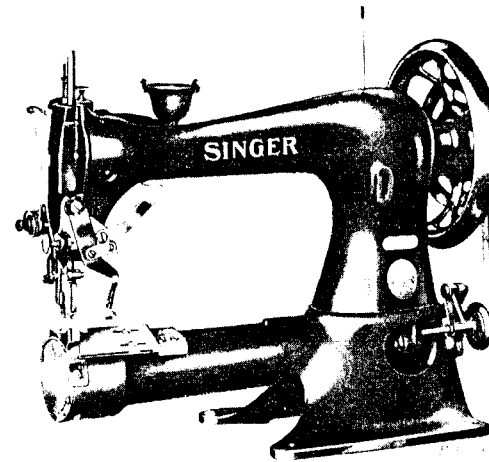
1 to 1500, 50001 to 51500 and 140001 to 142,000 are screw numbers  
1501 to 1800 and 51500 to 51800 are nut numbers  
1801 to 2000 and 51801 to 52000 are roller numbers  
2001 to 50000 and 52001 to 140000 and 142001 to 190000 are Sewing Machine Parts, 190001 and upward are numbers of Electrical Parts.

The figures in the second column refer only to the plates, illustrating the parts, and are NOT TO BE USED in ordering.

Parts marked with an asterisk (\*) are furnished only when repairs are made at the factory.

from the library of: Diamond Needle Corp

LIST OF PARTS COMPLETE  
FOR



MACHINE No. 43-7

FOR STITCHING CURVED VISORS, SWEAT BANDS  
AND CAP BANDS INTO THE BODY OF CAPS IN  
ONE OPERATION. UPPER FEED. STITCH LENGTH  
1/4 INCH. SPEED: 1000 DEPENDING ON MATERIALS  
USED AND OPERATIONS PERFORMED.

No.	Plate	Name
* 13068	-----	Arm with 159E, 180J, 4448, 4449, 4891, 4892, two 620AL and four 129E.....
2002	21044	Arm Dowel Pin (2) .....
4448	21044	Arm Oil Tube for intermediate bearing....
123E	21044	Arm Screw (3) .....
6178	21045	Arm Shaft .....
4449	21045	Arm Shaft Bushing (front) .....
3005	21045	Arm Shaft Bushing (back) .....
140732AL	21045	Arm Shaft Bushing (back) Set Screw.....
144D	21045	Arm Shaft Screw .....
13114	21044	Arm Side Cover.....
51224W	21044	Arm Side Cover Thumb Screw .....
5811	21044	Arm Spool Pin and Thread Eyelet.....
8879	21044	Arm Spool Pin Washer (cloth) (2) .....
120871	21046	Cap Band Sweat Guide (adjustable) with 120872 and two each 1443W and 127784 ..
120872	21046	Cap Band Sweat Guide Adjusting Block....
1443W	21046	Cap Band Sweat Guide Adjusting Block Screw (2) .....
127784	21046	Cap Band Sweat Guide Adjusting Block Screw Washer (2) .....

No.	Plate	Name
6466	21053	Lifting Presser Bar Spring.....
2070	21053	Lifting Presser Bar Spring Washer .....
13108	21051	Lifting Presser Foot .....
193J	21051	Lifting Presser Foot Screw .....
13120	21054	Machine Pulley, "V" belt groove (outside diam. of belt groove 7.2 in.) with two 448AL .....
448AL	21054	Machine Pulley Set Screw (2).....
5465	21052	Needle Bar.....
4898	21052	Needle Bar Connecting Link with 390E.....
56764	-----	Needle Bar Connecting Link 4898 with 15472.....
390E	21052	Needle Bar Connecting Link Adjusting Screw .....
15472	21052	Needle Bar Connecting Stud with 155C.....
155C	21052	Needle Bar Connecting Stud Screw .....
13115	21052	Needle Clamp Body.....
24102	21052	Needle Clamp Thread Guide.....
651F	21052	Needle Clamp Thread Guide Screw.....
13113	21052	Needle Clamp complete, Nos. 651F, 13115, 24102 and 51323F .....
51323F	21052	Needle Clamp Screw.....
13116	21051	Needle Plate.....
13117	21051	Needle Plate Body.....
742F	21051	Needle Plate Body Screw (2).....
401F	21051	Needle Plate Screw.....
13118	21051	Needle Plate complete, Nos. 401F, 13116 and 13117 .....
6436	21044	Oil Cup with 1111E and three 6437 .....
1111E	21044	Oil Cup Screw Stud.....
6437	21044	Oil Cup Thread Eyelet (3).....
13009	21045	Oscillating Rock Shaft with 11165 .....
13062	-----	Oscillating Rock Shaft 13009 with 65131.....
65130	21045	Oscillating Rock Shaft Hinge Pin.....
65131	-----	Oscillating Rock Shaft Hinge Pin 65130 with 1513J .....
1513J	21045	Oscillating Rock Shaft Hinge Pin Nut .....
11165	21045	Oscillating Rock Shaft Oil Pad.....
13063	21055	Oscillating Shaft .....
5999	21055	Oscillating Shaft Crank .....
6000	21055	Oscillating Shaft Crank complete, Nos. 453AL, 1513J, 1885 and 5999 .....
2049	-----	Oscillating Shaft Crank Pin.....
1885	21055	Oscillating Shaft Crank Roller with 190E, 1054C and 5968 .....
190E	21055	Oscillating Shaft Crank Roller Cap Screw...
5968	21055	Oscillating Shaft Crank Roller Cap Screw Washer .....
1054C	21055	Oscillating Shaft Crank Roller Screw Stud...
1513J	21055	Oscillating Shaft Crank Roller Screw Stud Nut .....
453AL	21055	Oscillating Shaft Crank Set Screw .....
262J	21053	Pressure Regulating Thumb Screw.....
1632C	21053	Pressure Regulating Thumb Screw Lock Nut
14535	21056	Shuttle Bobbin .....

No.	Plate	Name
13258	21056	Shuttle Cylinder.....
13259	-----	Shuttle Cylinder 13258 with 773F and 13264
13266	21056	Shuttle Cylinder Hinge Pin .....
13267	21056	Shuttle Cylinder Latch.....
12002	21056	Shuttle Cylinder Latch Pin.....
122419	21056	Shuttle Cylinder Latch Spring .....
13268	21056	Shuttle Frame .....
13269	-----	Shuttle Frame 13268 with 12002, 13267 and 122419 .....
773F	21056	Shuttle Tension Regulating Screw .....
13264	21056	Shuttle Tension Spring.....
13270	21056	Shuttle (cylinder) 2-1/2 in. diam. complete, Nos. 13259, 13266, 13269 and 14535.....
13023	21055	Shuttle Driver and Feed Lifting Eccentric..
2022	21055	Shuttle Driver and Feed Lifting Eccentric Pin .....
13085	21057	Shuttle Race.....
13086	-----	Shuttle Race 13085 with 1161E, 13089 and 13090.....
13087	21057	Shuttle Race Cap.....
13088	21057	Shuttle Race Cap complete, Nos. 13015, 13087 and two 240J.....
13015	21057	Shuttle Race Cap Latch .....
240J	21057	Shuttle Race Cap Latch Screw (2).....
102J	21057	Shuttle Race Cap Screw (2).....
13089	21057	Shuttle Race Thread Guard.....
1161E	21057	Shuttle Race Thread Guard Screw.....
13090	21057	Shuttle Race Thread Guard Steady Pin.....
127E	21057	Shuttle Race Screw (2).....
1560C	21048	Tension Regulating Thumb Nut.....
817C	21048	Tension Screw Stud.....
8183	-----	Tension Screw Stud 817C with 1560C .....
448AL	21048	Tension Screw Stud Set Screw .....
2103	21048	Tension Spring .....
2105	21048	Tension Thread Guard.....
5983	21048	Tension Washer (felt) (2).....
5984	21048	Tension Washer (steel) (2).....
5795	21048	Tension Wheel.....
5797	21048	Tension complete (wheel) Nos. 2103, 5795, 8183 and two each 5983 and 5984.....
12296	21044	Thread Eyelet (side of arm).....
2455	21048	Thread Retaining Disc (2).....
1562J	21048	Thread Retaining Regulating Thumb Nut ...
418E	21048	Thread Retaining Screw Stud .....
10141	21048	Thread Retaining Spring .....
5989	21048	Thread Retaining complete, Nos. 418E, 1562J, 10141 and two 2455.....
5793	21045	Thread Take-up Cam with 446AL .....
3012	21045	Thread Take-up Cam Pin .....
446AL	-----	Thread Take-up Cam Set Screw.....
5758	21052	Thread Take-up Lever with 1819.....
8159	-----	Thread Take-up Lever 5758 with 1088C....
1088C	21052	Thread Take-up Lever Hinge Screw.....
1819	21052	Thread Take-up Lever Roller and Stud....

No.	Plate	Name
5991	21048	Thread Take-up Spring.....
1217	21048	Thread Take-up Spring Regulator Plate....
233J	21048	Thread Take-up Spring Regulator Plate Adjusting Screw.....
120873	21046	Visor Guide.....
335J	21046	Visor Guide Screw (2).....
6053	----	Drip Pan .....

## ACCESSORIES

No.	Plate	Name
51072E	21058	Machine Bolt with 51581E (4).....
51581E	21058	Machine Bolt Nut (4).....
6055	21058	Machine Bolt Nut Washer (4).....
120342	21058	Oiler (copper plated) with 120343.....
120343	21058	Oiler Spout, 3-1/2 in. long.....
26026	21058	Screw Driver (machine).....
26485	21058	Screw Driver (shuttle tension).....
4347	21058	Wrench for 1513, 1517 and 1518.....
4822	21058	Wrench for 1528, 1547 and 1549.....
8908	21058	Wrench for 1520 .....

## BOBBIN WINDER

No.	Plate	Name
13031	21059	Bracket .....
145D	21059	Bracket Screw (2).....
12169	21059	Frame .....
13035	----	Frame complete, Nos. 333J, 5761, 5960, 5961, 5963 and 12169.....
32D	21059	Frame Hinge Screw.....
5960	21059	Friction Wheel (leather).....
5961	21059	Friction Wheel Washer.....
333J	21059	Friction Wheel Washer Screw.....
5761	21059	Spindle .....
5963	21059	Spindle Flange .....
12170	21059	Spring .....
180F	21059	Spring Screw.....
13032	21059	Bobbin Winder complete, Nos. 32D, 180F, 12170, 13031 and 13035.....

## KNEE LIFTER PARTS

No.	Plate	Name
16641	21060	Lifting Lever with 448AL.....
1064X	21060	Lifting Lever Hinge Screw .....
4896	21060	Lifting Lever Hook .....
448AL	21060	Lifting Lever Hook Set Screw.....
16659	21060	Lifting Lever Spring.....
6343	21060	Pitman .....
2763	21061	Rock Shaft .....
6334	21061	Rock Shaft Hanger with two wood screws 1 in. No. 10 (2).....
16646	21061	Rock Shaft Knee Arm with 1509E.....
16647	----	Rock Shaft Knee Arm complete, Nos. 2766, 2767 and 16646.....
2766	21061	Rock Shaft Knee Arm Hub with 356C.....
1509E	21061	Rock Shaft Knee Arm Hub Lock Nut.....
356C	21061	Rock Shaft Knee Arm Hub Set Screw.....
2767	21061	Rock Shaft Knee Plate with 356C.....
356C	21061	Rock Shaft Knee Plate Set Screw .....
6337	21061	Rock Shaft Lifting Bracket with two 356C....
6338	21061	Rock Shaft Lifting Bracket Hook.....
356C	21061	Rock Shaft Lifting Bracket Hook Set Screw ..
356C	21061	Rock Shaft Lifting Bracket Set Screw .....
2770	21061	Rock Shaft Stop Dog with 140219C.....
140219C	21061	Rock Shaft Stop Dog Set Screw .....
6339	21061	Rock Shaft complete, Nos. 2763, 2770, 6337, 6338, 16647 and two 6334.....
16645	----	Knee Lifter complete, Nos. 1064X, 4725, 4726, 4896, 6339, 6343, 16641 and 16659...

SINGER Needles should be used  
in SINGER Machines  
These Needles and their Containers  
are marked with the  
Company's Trademark "SIMANCO" 1

Needles in Containers marked  
"FOR SINGER MACHINES"  
are NOT SINGER made needles 2

## NUMERICAL LIST OF PARTS

No.	Plate	Name
32D	21059	Bobbin Winder Frame Hinge Screw for 13032.....
61F	21047	Cap Guide Throw-out Lever Hinge Screw for 120870.....
89F	21049	Feed Bar Connecting Link Hinge Screw.....
99J	21047	Cap Guide Throw-out Lever Connecting Link Hinge Screw for 120870.....
102J	21057	Shuttle Race Cap Screw.....
123E	21044	Arm Screw.....
127E	21057	Shuttle Race Screw.....
129E	21050	Feed Shaft Bracket (back) Screw for 13068
129E	21050	Feed Shaft Bracket (front) Screw for 13068
144D	21045	Arm Shaft Screw.....
145D	21059	Bobbin Winder Bracket Screw.....
145E	21045	Crank Connecting Rod Cap Screw for 13002
155C	21052	Needle Bar Connecting Stud Screw for 15472.....
159E	21050	Feed Lever Bracket Screw (upper) for 13068.....
175J	21048	Face Plate Screw.....
180F	21059	Bobbin Winder Spring Screw for 13032....
180J	21050	Feed Lever Bracket Screw (lower) for 13068.....
190E	21055	Oscillating Shaft Crank Roller Cap Screw for 1885.....
190J	21046	Cap Band Sweat Guide Screw.....
193J	21051	Lifting Presser Foot Screw.....
203J	21047	Cap Guide Bracket Screw.....
217J	21051	Feed Point Screw.....
228J	21047	Cap Guide Screw for 120870.....
233J	21048	Face Plate Thread Guard Screw for 13106..
233J	21048	Thread Take-up Spring Regulator Plate Adjusting Screw for 13106.....
237AL	21050	Feed Regulator Thumb Screw Stop Bracket Screw for 4905.....
240J	21057	Shuttle Race Cap Latch Screw for 13088...
262J	21053	Pressure Regulating Thumb Screw.....
233J	21059	Bobbin Winder Friction Wheel Washer Screw for 13035.....
335J	21046	Visor Guide Screw.....
356C	21061	Knee Lifter Rock Shaft Knee Arm Hub Set Screw for 2766.....
356C	21061	Knee Lifter Rock Shaft Knee Plate Set Screw for 2767.....
356C	21061	Knee Lifter Rock Shaft Lifting Bracket Hook Set Screw for 6337.....
356C	21061	Knee Lifter Rock Shaft Lifting Bracket Set Screw for 6337.....
390E	21052	Needle Bar Connecting Link Adjusting Screw for 4898.....
401F	21051	Needle Plate Screw for 13118.....

**SINGER Needles should be used  
in SINGER Machines  
These Needles and their Containers  
are marked with the  
Company's Trademark "SIMANCO" 1**

**Needles in Containers marked  
"FOR SINGER MACHINES"  
are NOT SINGER made needles 2**

No.	Plate	Name
404J	21049	Guide Bar Lifting Bracket Screw for 56868..
418E	21048	Thread Retaining Screw Stud for 5989.....
435AL	21045	Feed Cam Set Screw for 24630.....
446AL	-----	Thread Take-up Cam Set Screw for 5793....
448AL	21054	Machine Pulley Set Screw for 13120.....
448AL	21048	Tension Screw Stud Set Screw for 13106....
448AL	21060	Knee Lifter Lifting Lever Hook Set Screw for 16641.....
453AL	21050	Feed Forked Connection Set Screw for 13074.....
453AL	21055	Oscillating Shaft Crank Set Screw for 6000..
566C	21045	Crank Connecting Rod Hinge Screw.....
598C	21053	Lifting Presser Bar Lifter Screw.....
620AL	21050	Feed Lever Hinge Pin Set Screw for 13068..
641E	21053	Lifting Presser Bar Bracket Clamping Screw for 3133.....
651F	21052	Needle Clamp Thread Guide Screw for 13113
666F	21050	Feed Regulator Thumb Screw Lock Screw for 13075.....
683D	21053	Lifting Presser Bar Lifter Stop Screw.....
690E	21045	Guide Bar Driving Crank Wedge Screw for 5750.....
741F	21047	Cap Guide Arm Hinge Screw for 120870.....
742F	21051	Needle Plate Body Screw.....
773F	21056	Shuttle Tension Regulating Screw for 13259..
810D	21049	Feed Bar Hinge Cap Screw for 13078.....
810E	21049	Lifting Presser Bar Lifting Bell Crank Hinge Cap Screw for 13078.....
817C	21048	Tension Screw Stud for 8183.....
1014W	21050	Feed Regulator Thumb Screw for 13075.....
1054C	21055	Oscillating Shaft Crank Roller Screw Stud for 1885.....
1064X	21060	Knee Lifter Lifting Lever Hinge Screw for 16645.....
1088C	21052	Thread Take-up Lever Hinge Screw for 8159.....
1111E	21044	Oil Cup Screw Stud for 6436.....
1161E	21057	Shuttle Race Thread Guard Screw for 13086..
1263J	21047	Cap Guide Regulating Thumb Screw for 120870.....
1443W	21046	Cap Band Sweat Guide Adjusting Block Screw for 120871.....
1509E	21061	Knee Lifter Rock Shaft Knee Arm Hub Lock Nut for 16646.....
1513J	21045	Crank Connecting Rod Hinge Screw Nut.....
1513J	21045	Oscillating Rock Shaft Hinge Pin Nut for 65131.....
1513J	21055	Oscillating Shaft Crank Roller Screw Stud Nut for 6000.....
1560C	21048	Tension Regulating Thumb Nut for 8183.....
1562J	21048	Thread Retaining Regulating Thumb Nut for 5989.....
1632C	21053	Pressure Regulating Thumb Screw Lock Nut

No.	Plate	Name
1655J	21047	Cap Guide Throw-out Lever Hinge Screw Nut for 120870.....
1819	21052	Thread Take-up Lever Roller and Stud for 5758.....
1823	21053	Lifting Presser Bar Bracket Roller and Stud for 3133.....
1862	21052	Guide Bar Driving Crank Roller for 4854....
1885	21055	Oscillating Shaft Crank Roller with 190F, 1054C and 5968 for 6000.....
2002	21044	Arm Dowel Pin.....
2022	21055	Shuttle Driver and Feed Lifting Eccentric Pin.....
2049	21050	Feed Regulator Pin for 13092.....
2049	-----	Oscillating Shaft Crank Pin.....
2058	21053	Lifting Presser Bar.....
2070	21053	Lifting Presser Bar Spring Washer.....
2103	21048	Tension Spring for 5797.....
2105	21048	Tension Thread Guard for 13105.....
2107	21048	Face Plate Thread Guard for 13106.....
2127	21048	Thread Take-up Spring Regulator Plate for 13106.....
2361	21049	Feed Bar Hinge Bracket for 56752.....
2362	21049	Feed Bar Hinge Bracket Rivet for 56752....
2455	21048	Thread Retaining Disc for 5989.....
2763	21061	Knee Lifter Rock Shaft for 6339.....
2766	21061	Knee Lifter Rock Shaft Knee Arm Hub with 356C for 16647.....
2767	21061	Knee Lifter Rock Shaft Knee Plate with 356C for 16647.....
2770	21061	Knee Lifter Rock Shaft Stop Dog with 140219C for 6339.....
3005	21045	Arm Shaft Bushing (back).....
3012	21045	Thread Take-up Cam Pin.....
3093	21050	Feed Forked Connection Pin.....
3094	21045	Guide Bar Driving Crank Wedge for 5750....
3126	21049	Guide Bar for 56752.....
3131	21052	Guide Bar Driving Crank Roller Cap for 4854.....
3133	21053	Lifting Presser Bar Bracket with 641E and 1823.....
4347	21058	Wrench for 1513, 1517 and 1518 (accessories).....
4448	21044	Arm Oil Tube for intermediate bearing for 13068.....
4449	21045	Arm Shaft Bushing (front) for 13068.....
4723	21049	Guide Bar Lifting Bracket for 56868.....
4725	21053	Lifting Presser Bar Lifting Bracket for 16645.....
4726	21053	Lifting Presser Bar Lifting Bracket Guide Pin for 16645.....
4822	21058	Wrench for 1528, 1547 and 1549 (accessories).....
4854	21052	Guide Bar Driving Crank with 1862 and 3131.....
4891	21050	Feed Shaft Bracket (front) for 13068.....

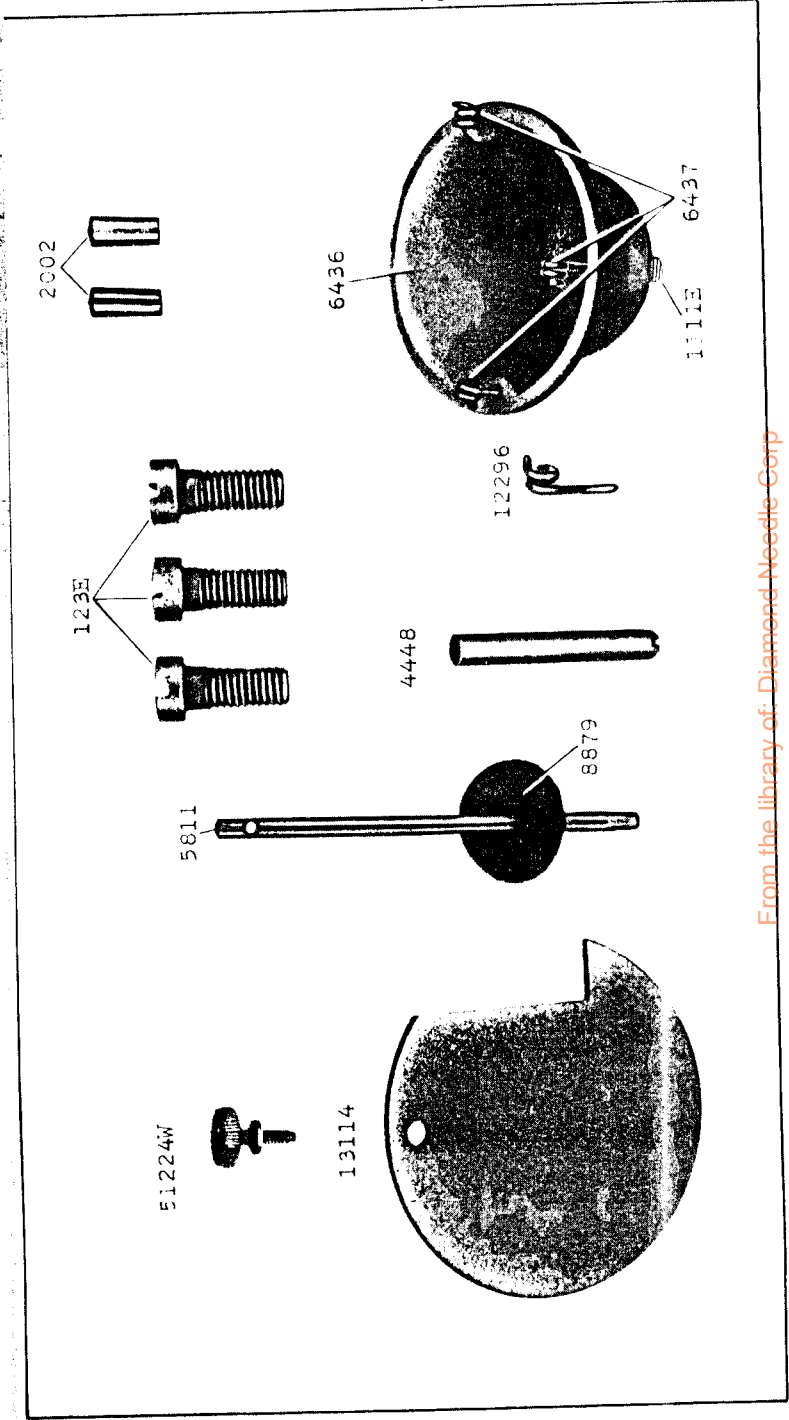


No.	Plate	Name
4892	21050	Feed Shaft Bracket (back) for 13068.....
4896	21060	Knee Lifter Lifting Lever Hook for 16645..
4897	21049	Lifting Presser Bar Lifting Bell Crank for 13078.....
4898	21052	Needle Bar Connecting Link with 390E for 56764.....
4904	21050	Feed Lever.....
4905	-----	Feed Regulator 56904 with 4907 and two 237AL for 13075.....
4907	21050	Feed Regulator Thumb Screw Stop Bracket for 4905.....
4908	21050	Feed Shaft for 13092.....
4909	21053	Lifting Presser Bar Lifter.....
4959	21050	Feed Regulator Thumb Screw Lock Stud (brass) for 13075.....
5465	21052	Needle Bar.....
5750	-----	Guide Bar Driving Crank Wedge 3094 with 690E.....
5758	21052	Thread Take-up Lever with 1819 for 8159..
5761	21059	Bobbin Winder Spindle for 13035.....
5793	21045	Thread Take-up Cam with 446AL.....
5795	21048	Tension Wheel for 5797.....
5797	21048	Tension complete (wheel) for 13106 Nos. 2103, 5795, 8183 and two each 5983 and 5984.....
5811	21044	Arm Spool Pin and Thread Eyelet.....
5960	21059	Bobbin Winder Friction Wheel (leather) for 13035.....
5961	21059	Bobbin Winder Friction Wheel Washer for 13035.....
5963	21059	Bobbin Winder Spindle Flange for 13035...
5968	21055	Oscillating Shaft Crank Roller Cap Screw Washer for 1885.....
5983	21048	Tension Washer (felt) for 5797.....
5984	21048	Tension Washer (steel) for 5797.....
5989	21048	Thread Retainer complete, for 13106 Nos. 418E, 1562J, 10141 and two 2455.....
5991	21048	Thread Take-up Spring for 13106.....
5999	21055	Oscillating Shaft Crank for 6000.....
6000	21055	Oscillating Shaft Crank complete, Nos. 453AL, 1513J, 1885 and 5999.....
6053	-----	Drip Pan.....
6055	21058	Machine Bolt Nut Washer (accessories)...
6178	21045	Arm Shaft.....
* 6305	-----	Feed Lever Bracket.....
6306	21049	Feed Bar Connecting Link.....
6307	21050	Feed Lever Hinge Pin.....
6334	21061	Knee Lifter Rock Shaft Hanger with two wood screws 1 in. No. 10 for 6339.....
6337	21061	Knee Lifter Rock Shaft Lifting Bracket with two 356C for 6339.....
6338	21061	Knee Lifter Rock Shaft Lifting Bracket Hook for 6339.....
6339	21061	Knee Lifter Rock Shaft complete, for 16645 Nos. 2763, 2770, 6337, 6338, 16647 and two 6334.....

No.	Plate	Name
6343	21060	Knee Lifter Pitman for 16645.....
6436	21044	Oil Cup with 1111E and three 6437.....
6437	21044	Oil Cup Thread Eyelet for 6436.....
6466	21053	Lifting Presser Bar Spring.....
7071	21046	Cap Band Sweat Guide Screw Washer.....
8159	-----	Thread Take-up Lever 5758 with 1088C.....
8183	-----	Tension Screw Stud 817C with 1560C for 5797.....
8879	21044	Arm Spool Pin Washer (cloth).....
8908	21058	Wrench for 1520 (accessories).....
10141	21048	Thread Retaining Spring for 5989.....
11165	21045	Oscillating Rock Shaft Oil Pad for 13009....
12002	21056	Shuttle Cylinder Latch Pin for 13269.....
12169	21059	Bobbin Winder Frame for 13035.....
12170	21059	Bobbin Winder Spring for 13032.....
12296	21044	Thread Eyelet (side of arm).....
13002	21045	Crank Connecting Rod with 125044 and two 145E.....
13009	21045	Oscillating Rock Shaft with 11165 for 13062..
13015	21057	Shuttle Race Cap Latch for 13088.....
13023	21055	Shuttle Driver and Feed Lifting Eccentric...
13031	21059	Bobbin Winder Bracket for 13032.....
13032	21059	Bobbin Winder complete, Nos. 32D, 180F, 12170, 13031 and 13035.....
13035	-----	Bobbin Winder Frame complete, for 13032, Nos. 333J, 5761, 5960, 5961, 5963 and 12169.....
13062	-----	Oscillating Rock Shaft 13009 with 65131....
13063	21055	Oscillating Shaft.....
* 13068	-----	Arm with 159E, 180J, 4448, 4449, 4891, 4892, two 620AL and four 129E.....
* 13069	-----	Cylinder, 3-1/4 in. Diam.....
13073	21049	Feed Bar for 13078.....
13074	21050	Feed Forked Connection with 453AL for 13092.....
13075	-----	Feed Regulator complete, for 13092 Nos. 666F, 1014W, 4905, 4959 and 13076.....
13076	21050	Feed Regulator Slide Block for 13075.....
13078	-----	Guide Bar complete, Nos. 810D, 810E, 4897, 13073 and 56868.....
13085	21057	Shuttle Race for 13086.....
13086	-----	Shuttle Race 13085 with 1161E, 13089 and 13090.....
13087	21057	Shuttle Race Cap for 13088.....
13088	21057	Shuttle Race Cap complete, Nos. 13015, 13087 and two 240J.....
13089	21057	Shuttle Race Thread Guard for 13086.....
13090	21057	Shuttle Race Thread Guard Steady Pin for 13086.....
13092	-----	Feed Shaft 4908 with 2049, 13074 and 13075..
13104	21048	Face Plate for 13105.....
13105	-----	Face Plate 13104 with 2105 for 13106.....
13106	21048	Face Plate complete, Nos. 448AL, 2107, 2127, 5797, 5989, 5991, 13105 and two 233J..
13107	21051	Feed Point.....

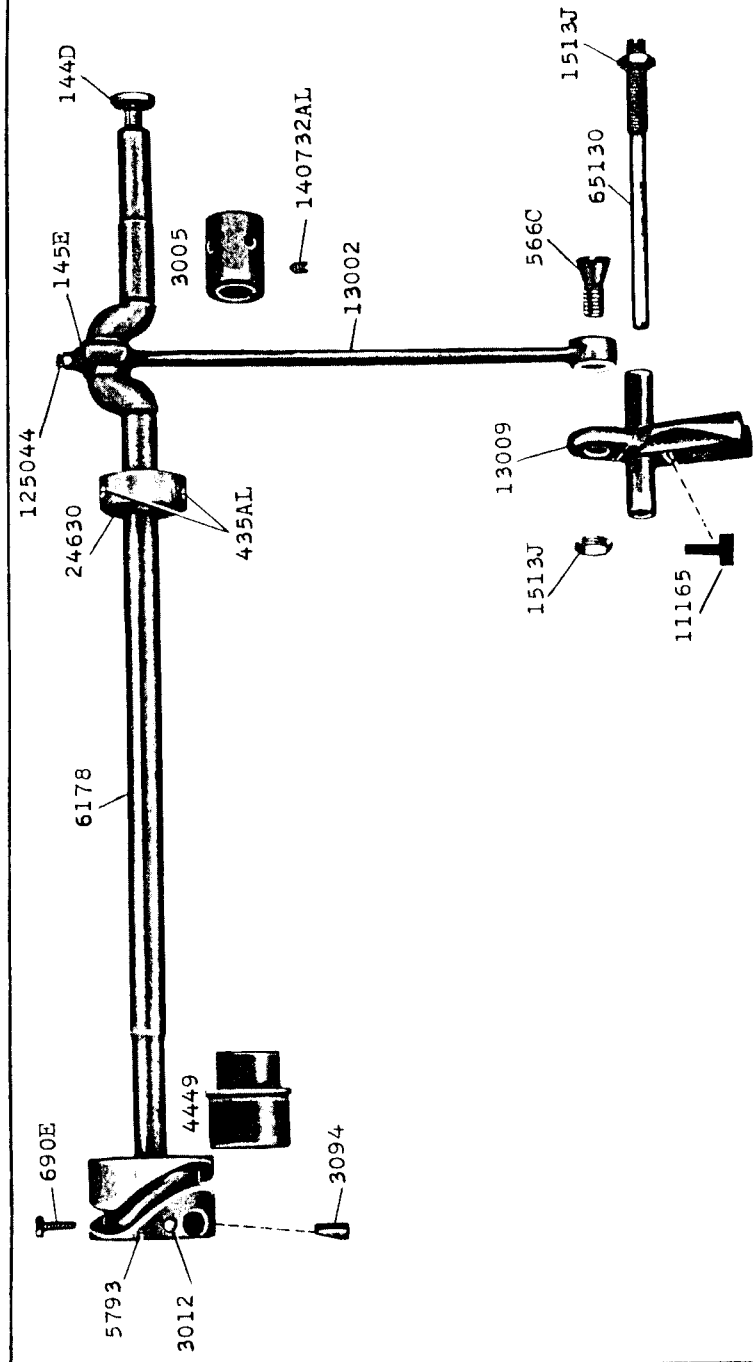
No.	Plate	Name
13108	21051	Lifting Presser Foot.....
13113	21052	Needle Clamp complete, Nos. 651F, 13115, 24102 and 51323F.....
13114	21044	Arm Side Cover.....
13115	21052	Needle Clamp Body for 13113.....
13116	21051	Needle Plate for 13118.....
13117	21051	Needle Plate Body for 13118.....
13118	21051	Needle Plate complete, Nos. 401F, 13116 and 13117.....
13120	21054	Machine Pulley, "V" belt groove (outside diam. of belt groove 7.2 in.) with two 448AL.....
13258	21056	Shuttle Cylinder for 13259.....
13259	-----	Shuttle Cylinder 13258 with 773F and 13264 for 13270.....
13264	21056	Shuttle Tension Spring for 13259.....
13266	21056	Shuttle Cylinder Hinge Pin for 13270.....
13267	21056	Shuttle Cylinder Latch for 13269.....
13268	21056	Shuttle Frame for 13269.....
13269	-----	Shuttle Frame 13268 with 12002, 13267 and 122419 for 13270.....
13270	21056	Shuttle (cylinder) 2-1/2 in. diam., complete, Nos. 13259, 13266, 13269 and 14535.....
14535	21056	Shuttle Bobbin for 13270.....
15472	21052	Needle Bar Connecting Stud with 155C for 56764.....
16641	21060	Knee Lifter Lifting Lever with 448AL for 16645.....
16645	-----	Knee Lifter complete, Nos. 1064X, 4725, 4726, 4896, 6339, 6343, 16641 and 16659...
16646	21061	Knee Lifter Rock Shaft Knee Arm with 1509E for 16647.....
16647	-----	Knee Lifter Rock Shaft Knee Arm complete, for 6339 Nos. 2766, 2767 and 16646.....
16659	21060	Knee Lifter Lifting Lever Spring for 16645.
24102	21052	Needle Clamp Thread Guide for 13113.....
24630	21045	Feed Cam with two 435AL.....
26026	21058	Screw Driver (machine) (accessories).....
26485	21058	Screw Driver (shuttle tension) (accessories)
36006	21047	Cap Guide Hinge Screw Friction Washer for 120870.....
36006	21047	Cap Guide Throw-out Lever Hinge Screw Friction Washer for 120870.....
51072E	21058	Machine Bolt with 51581E (accessories) ...
51224W	21044	Arm Side Cover Thumb Screw.....
51323F	21052	Needle Clamp Screw for 13113.....
51581E	21058	Machine Bolt Nut for 51072E (accessories).
56752	-----	Guide Bar 3126 with 2361 and two 2362 for 56868.....
56764	-----	Needle Bar Connecting Link 4898 with 15472
56868	-----	Guide Bar 56752 with 4723 and three 404J for 13078.....
56904	21050	Feed Regulator for 4905.....
65130	21045	Oscillating Rock Shaft Hinge Pin for 65131.
65131	-----	Oscillating Rock Shaft Hinge Pin 65130 with 1513J for 13062.....

No.	Plate	Name
120342	21058	Oiler (copper plated) with 120343 (accessories).....
120343	21058	Oil Spout, 3-1/2 in. long for 120342 (accessories).....
120864	21047	Cap Guide for 120870.....
120865	21047	Cap Guide Arm for 120870.....
120866	21047	Cap Guide Body for 120870.....
120867	21047	Cap Guide Bracket for 120870.....
120868	21047	Cap Guide Throw-out Lever for 120870....
120869	21047	Cap Guide Throw-out Lever Connecting Link for 120870.....
120870	21047	Cap Guide (throw-out, adjustable) complete, Nos. 61F, 741F, 1263J, 1655J, 120864, 120865, 120866, 120867, 120868, 120869 and two each 99J, 228J and 36006.....
120871	21046	Cap Band Sweat Guide (adjustable) with 120872 and two each 1443W and 127784 ..
120872	21046	Cap Band Sweat Guide Adjusting Block for 120871.....
120873	21046	Visor Guide.....
122419	21056	Shuttle Cylinder Latch Spring for 13269....
125044	21045	Crank Connecting Rod Oil Pad (felt) for 13002.....
127784	21046	Cap Band Sweat Guide Adjusting Block Screw Washer for 120871.....
140219C	21061	Knee Lifter Rock Shaft Stop Dog Set Screw for 2770.....
140732AL	21045	Arm Shaft Bushing (back) Set Screw.....

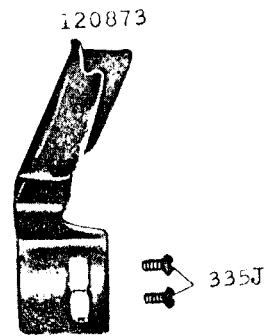
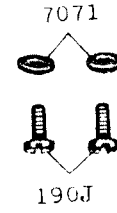
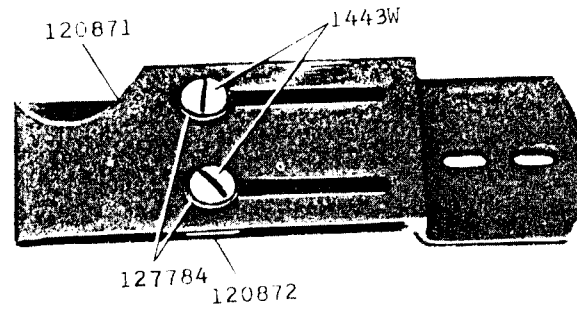


From the library of: Diamond Needle Corp

21045-1/3

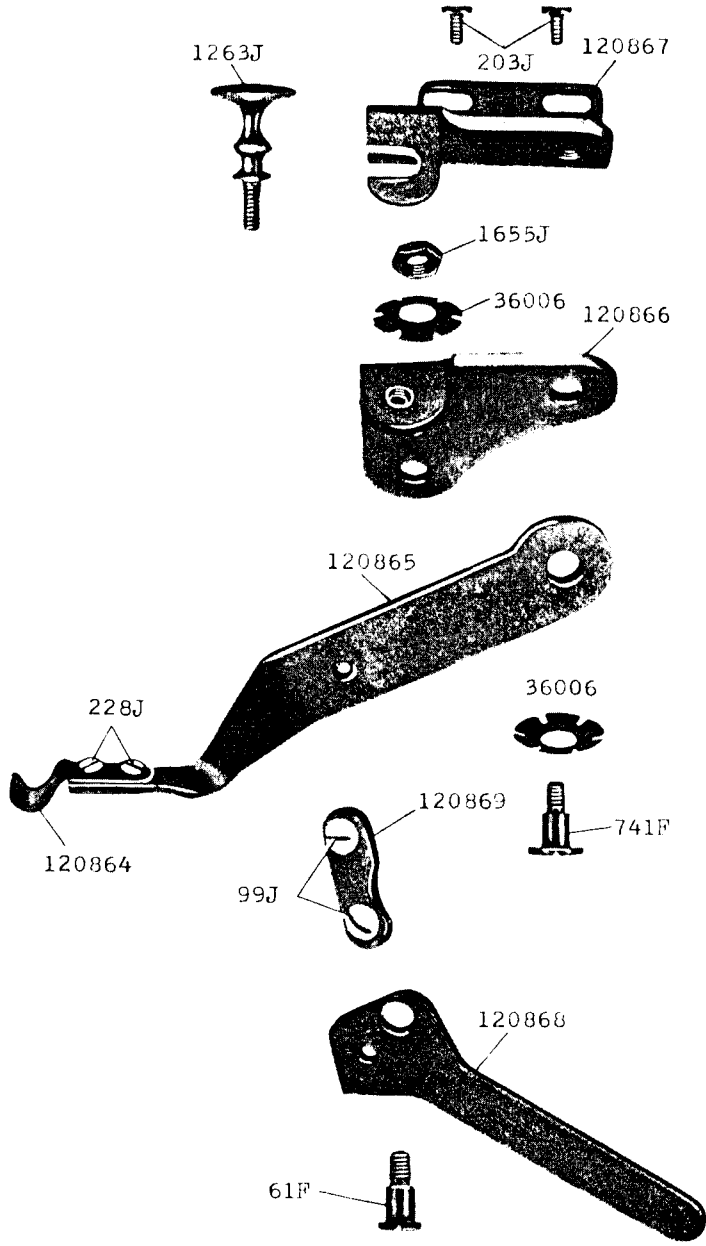


21046-2/3

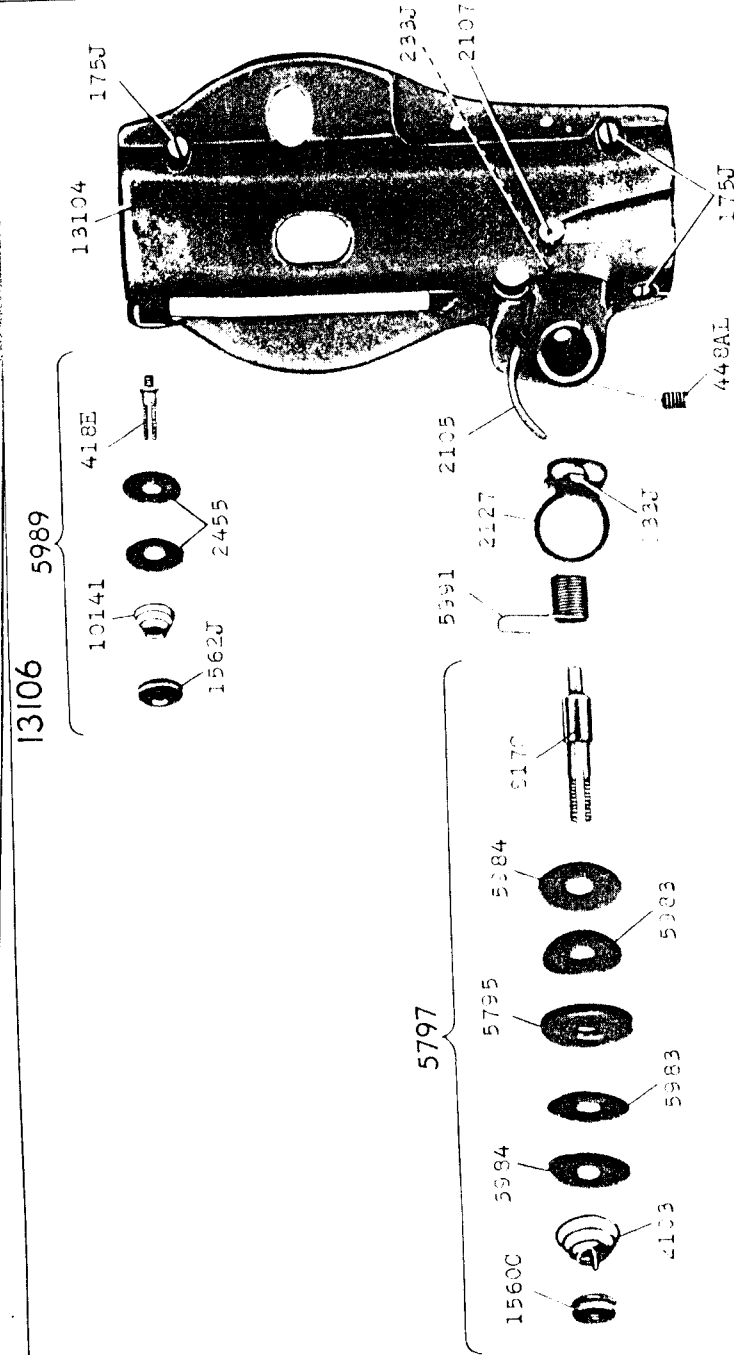


From the library of: Diamond Needle Corp

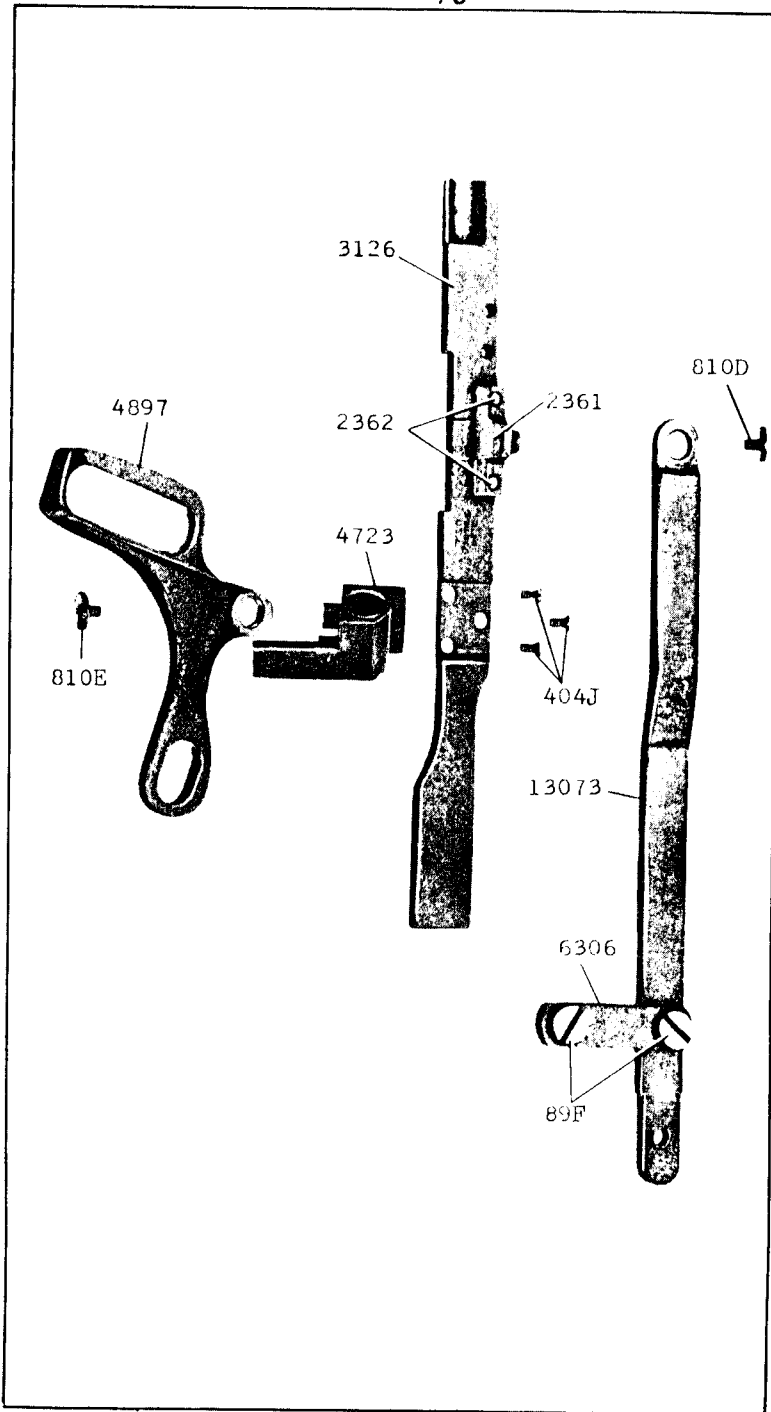
21047-2/3  
120870



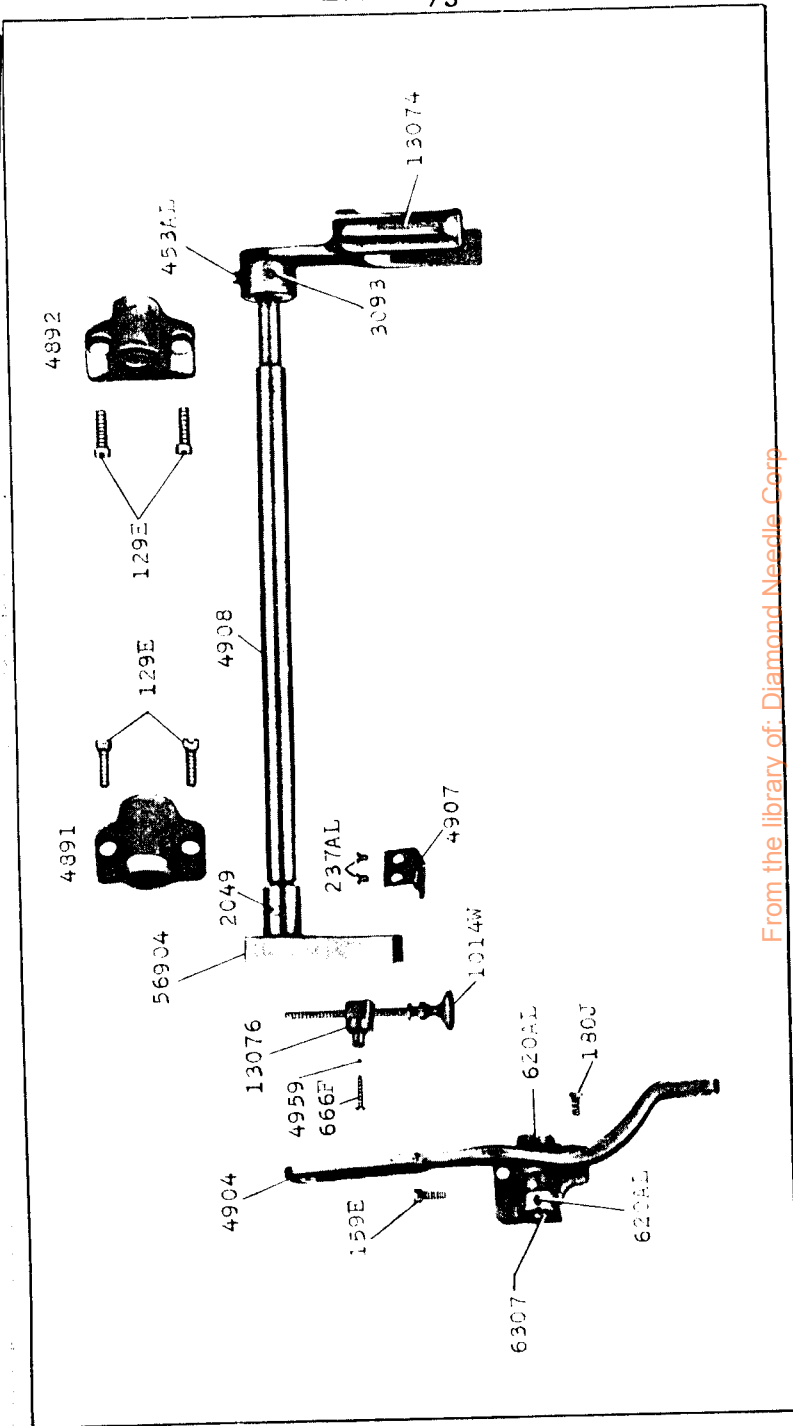
21048-1/2



21049-2/3



21050-1/3



From the library of: Diamond Needle Corp

21051-2/3

13107



217J



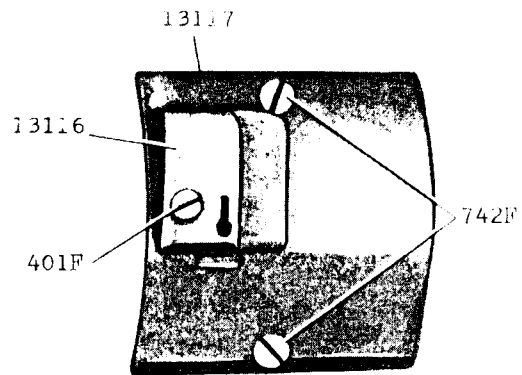
13108



193J



13118

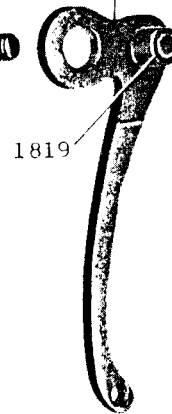


21052-2/3

1088C



5758



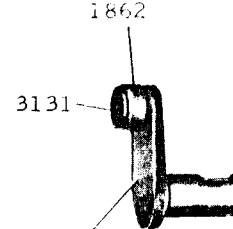
1819

5465



1862

3131



4854

4898

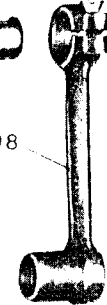
15472



1550



390E



13113

13115

651F

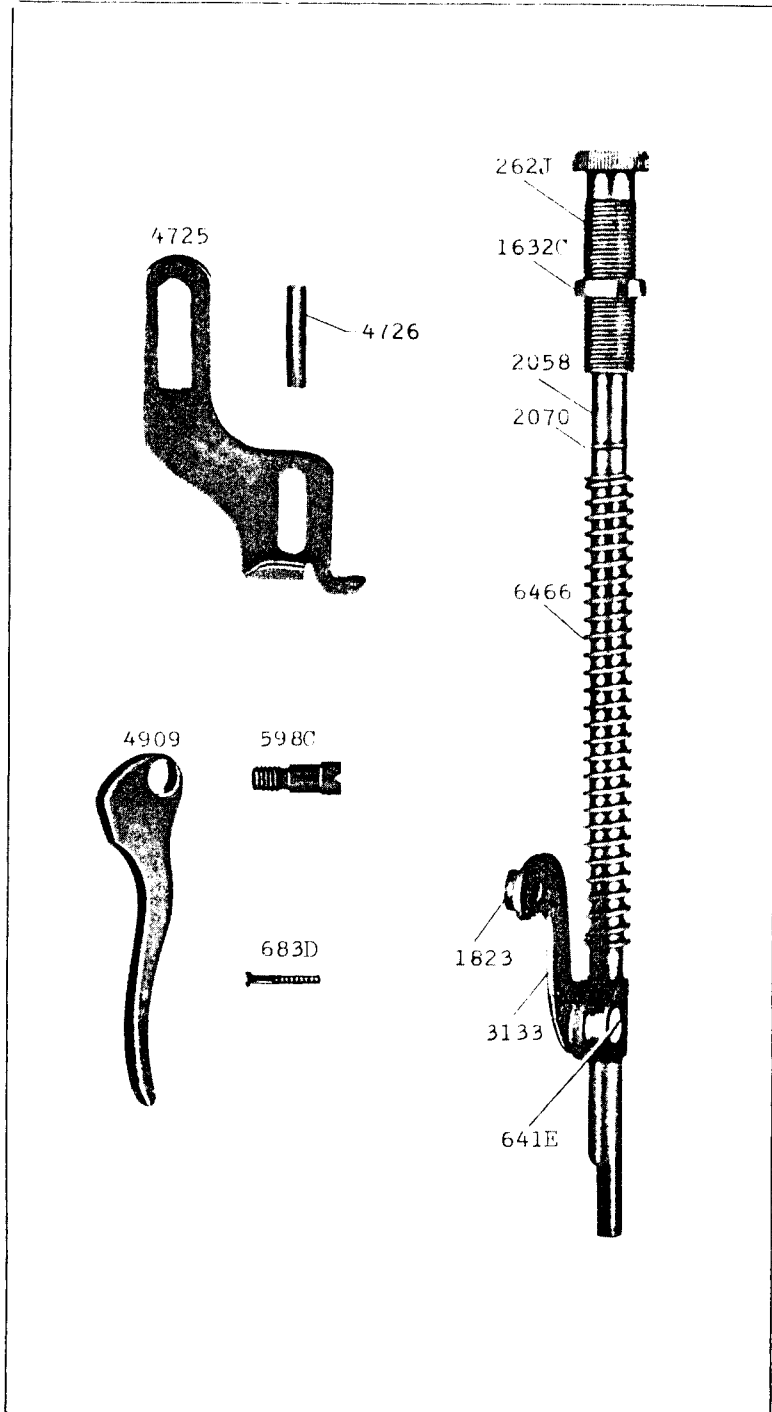
51323F

24102

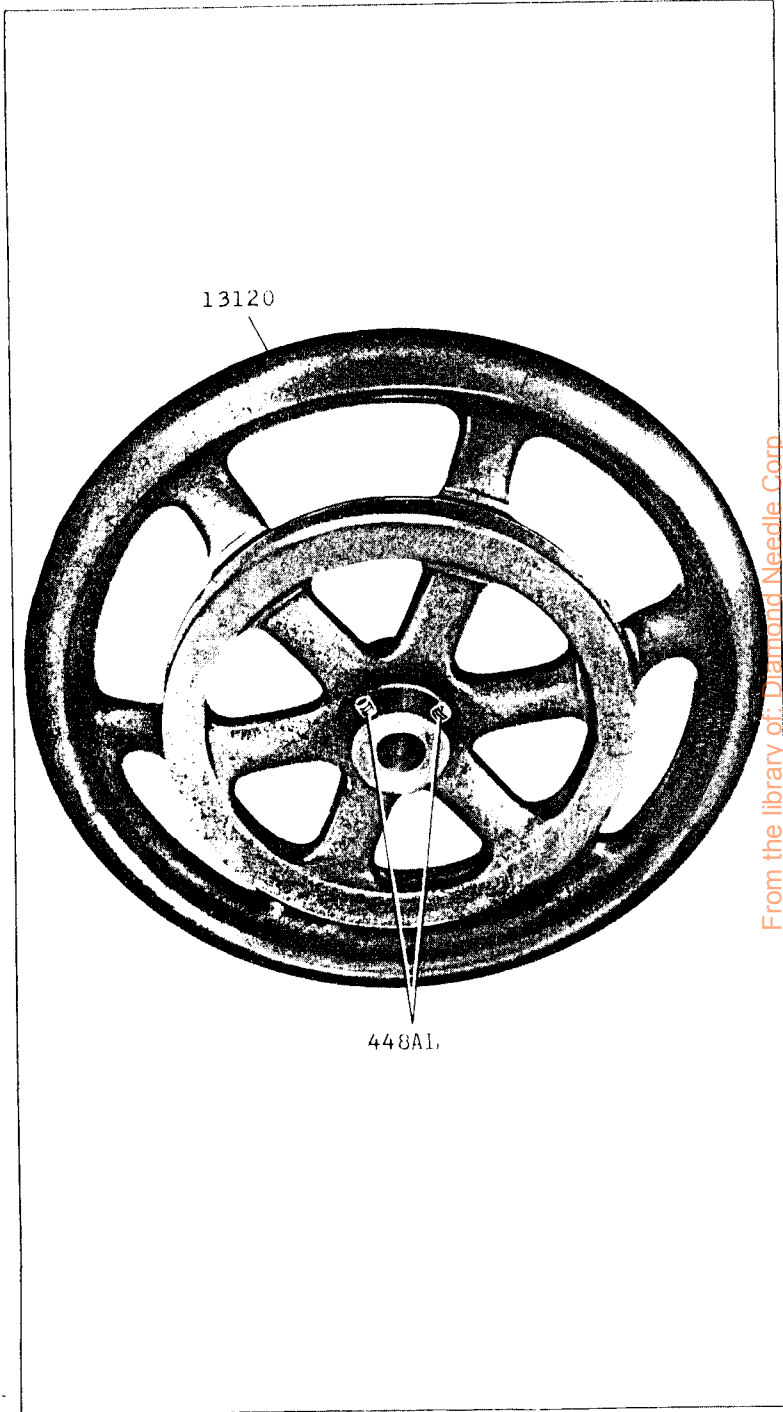


From the library of: Diamond Needle Corp.

21053-2/3



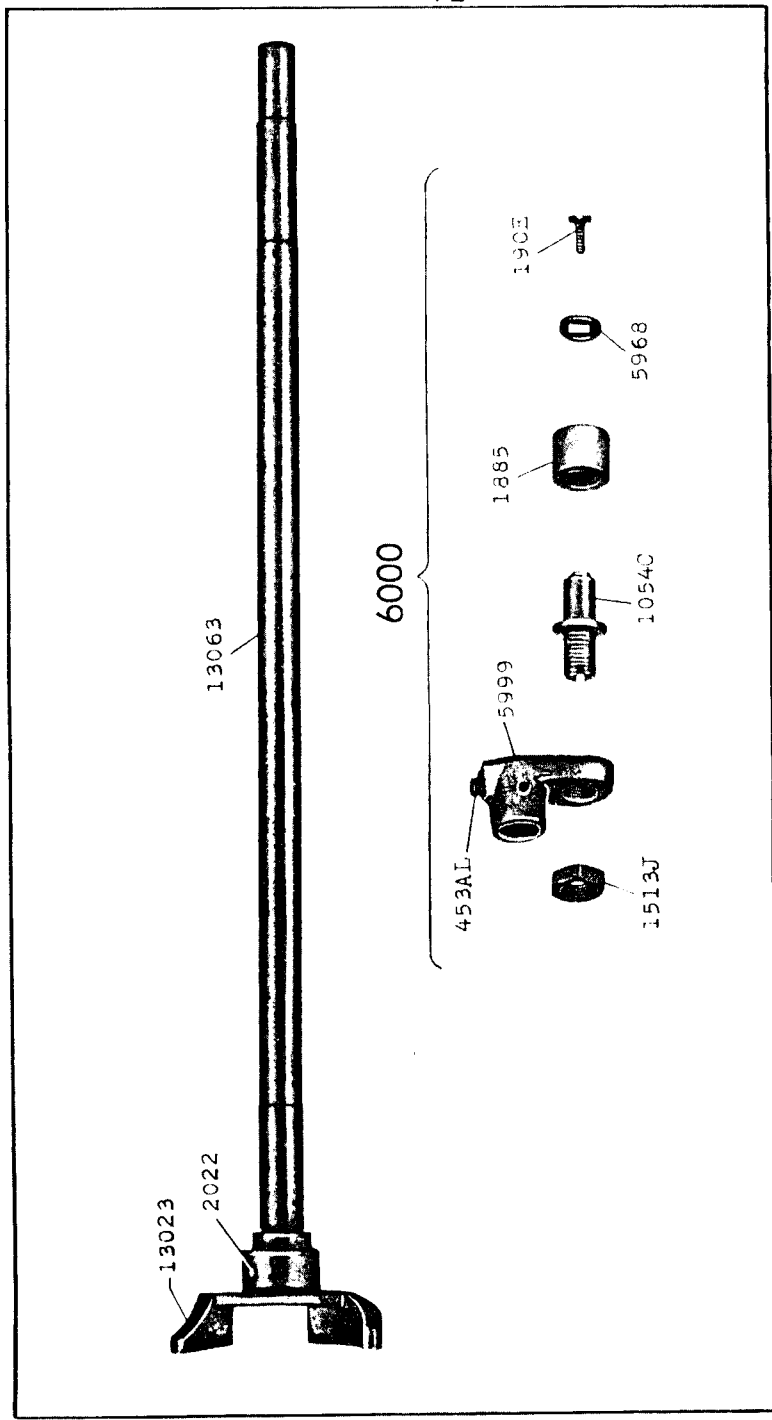
21054-1/2



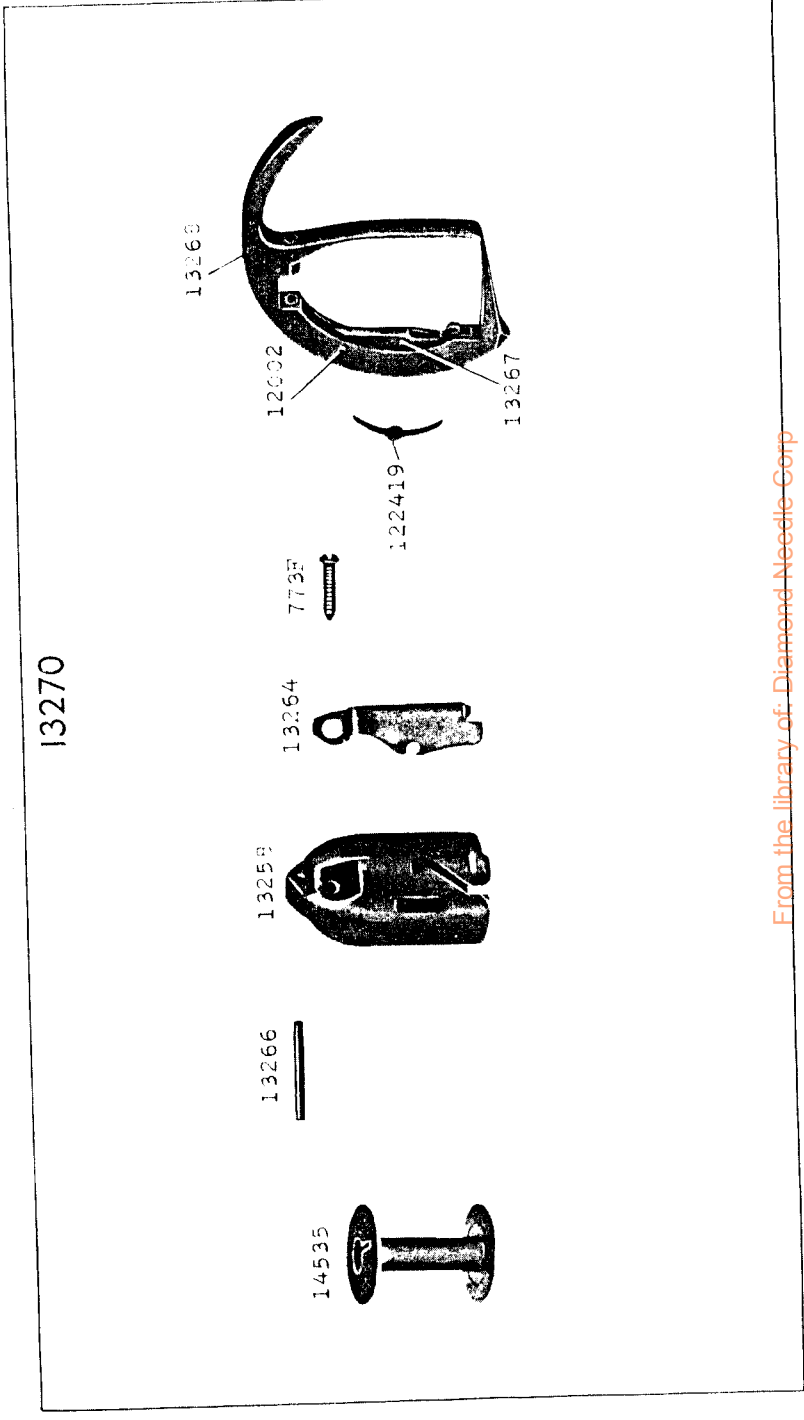
From the library of: Diamond Needle Corp



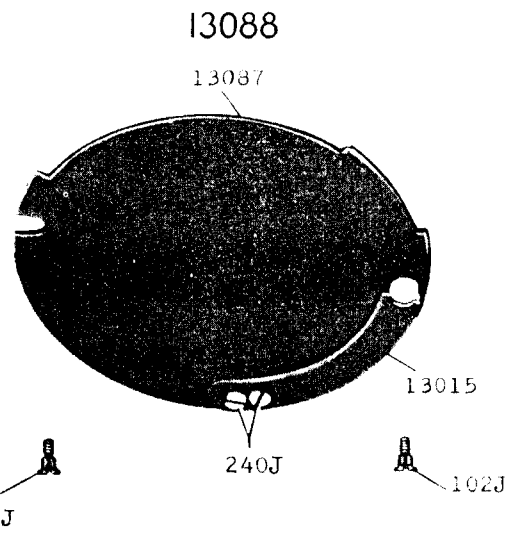
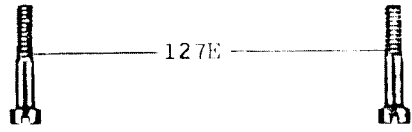
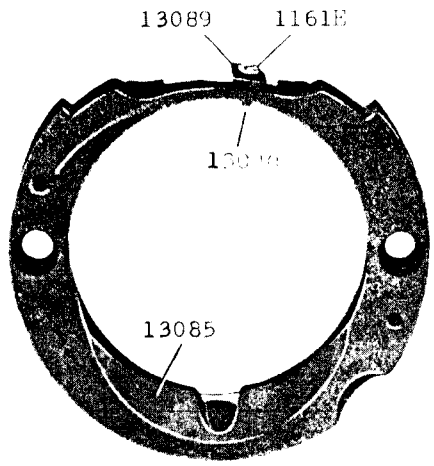
21055-1/2



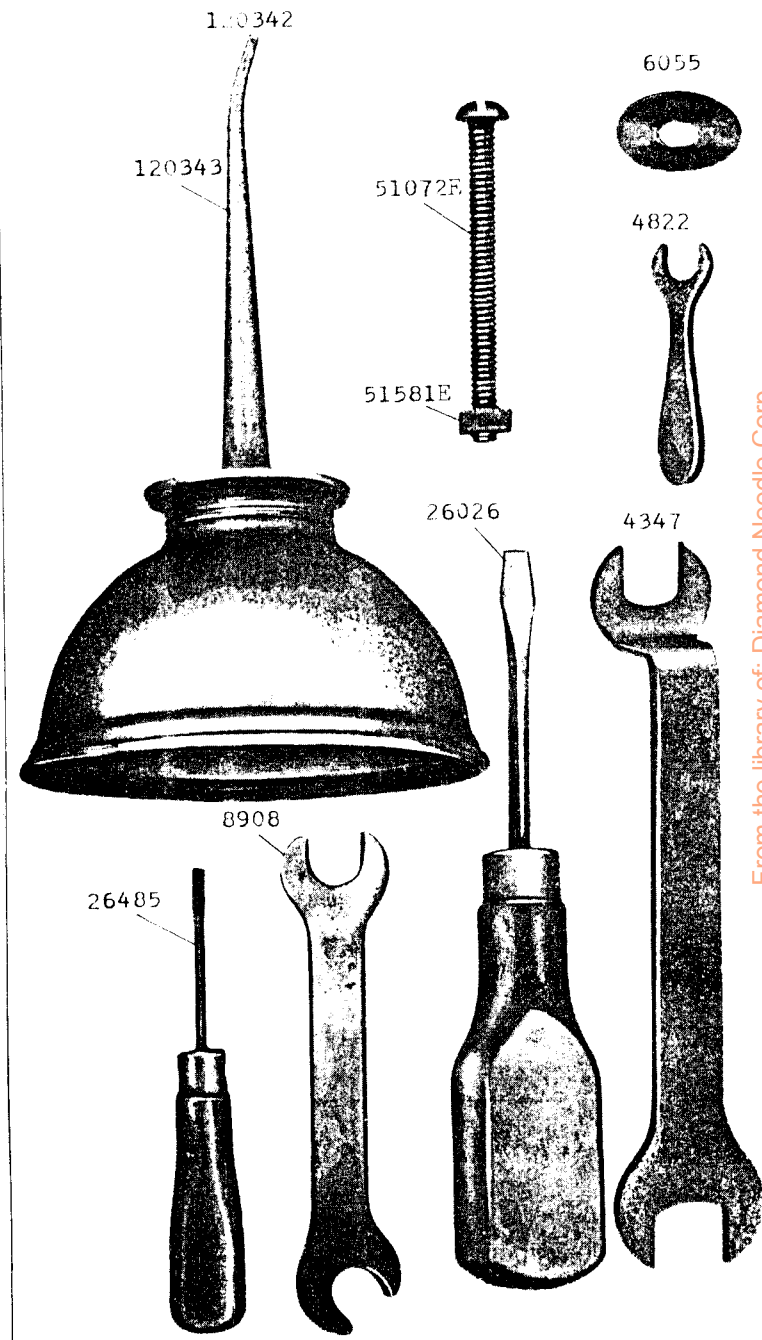
21056-2/3



21057-2/3



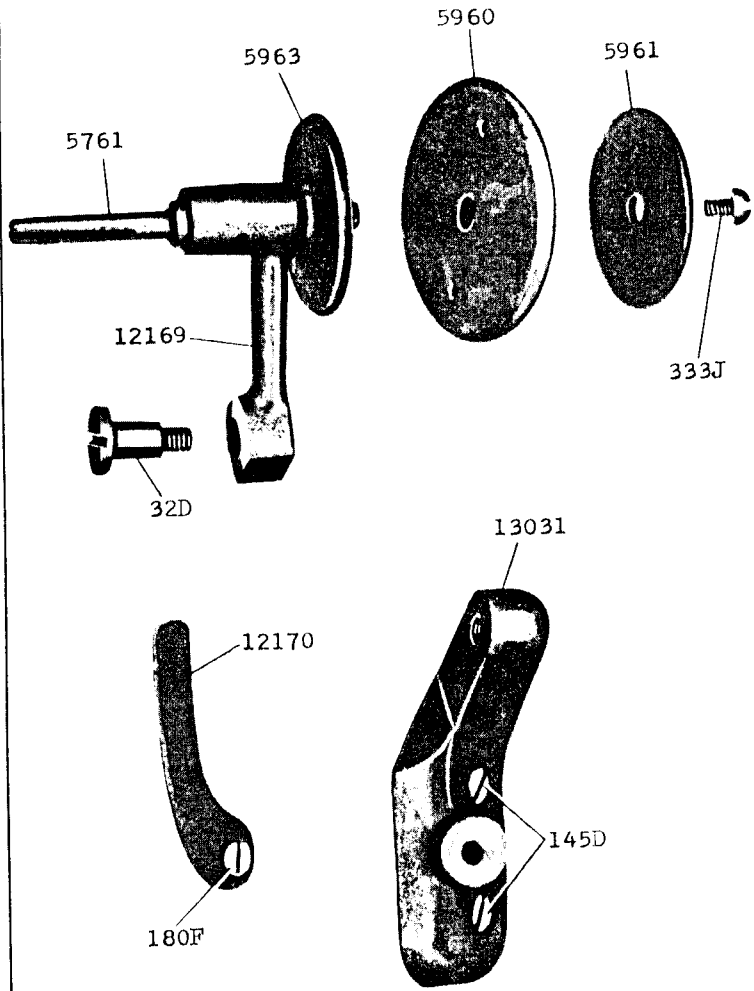
21058-2/3



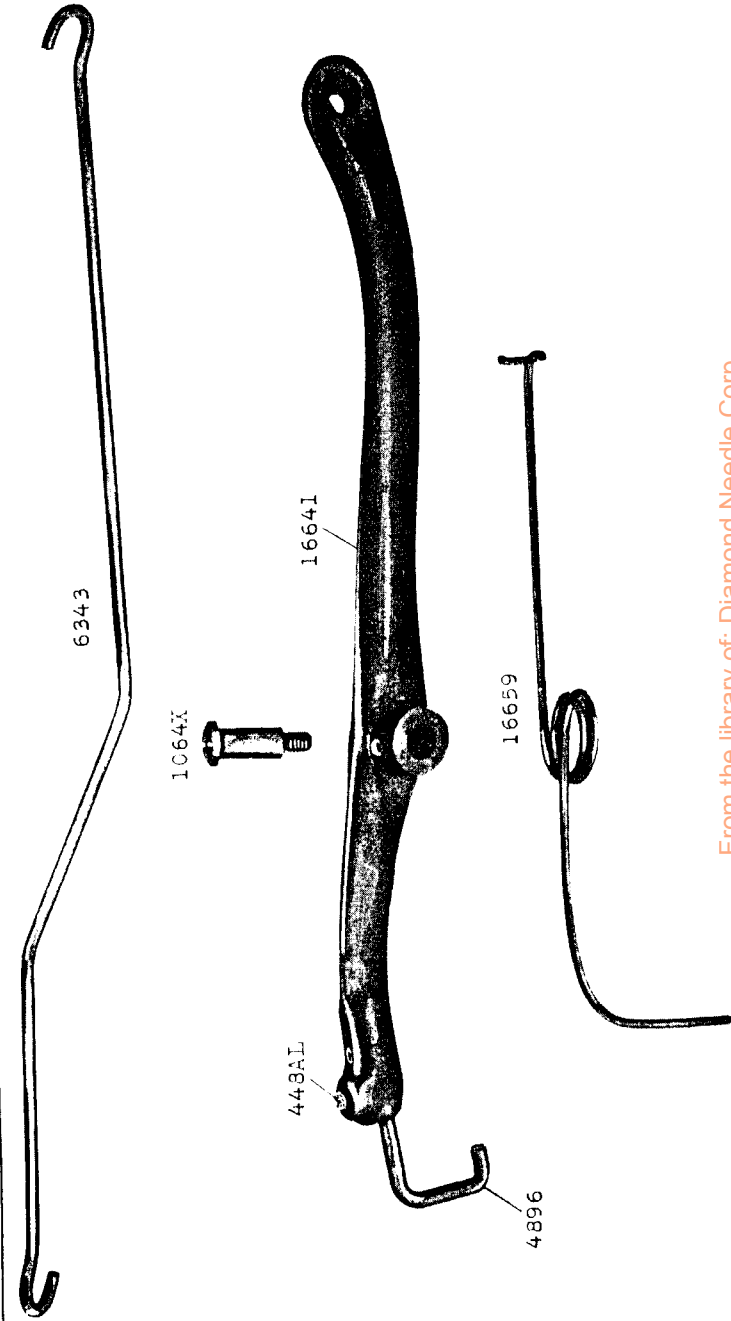
From the library of: Diamond Needle Corp

21059-2/3

13032



21060-1/2



From the library of: Diamond Needle Corp